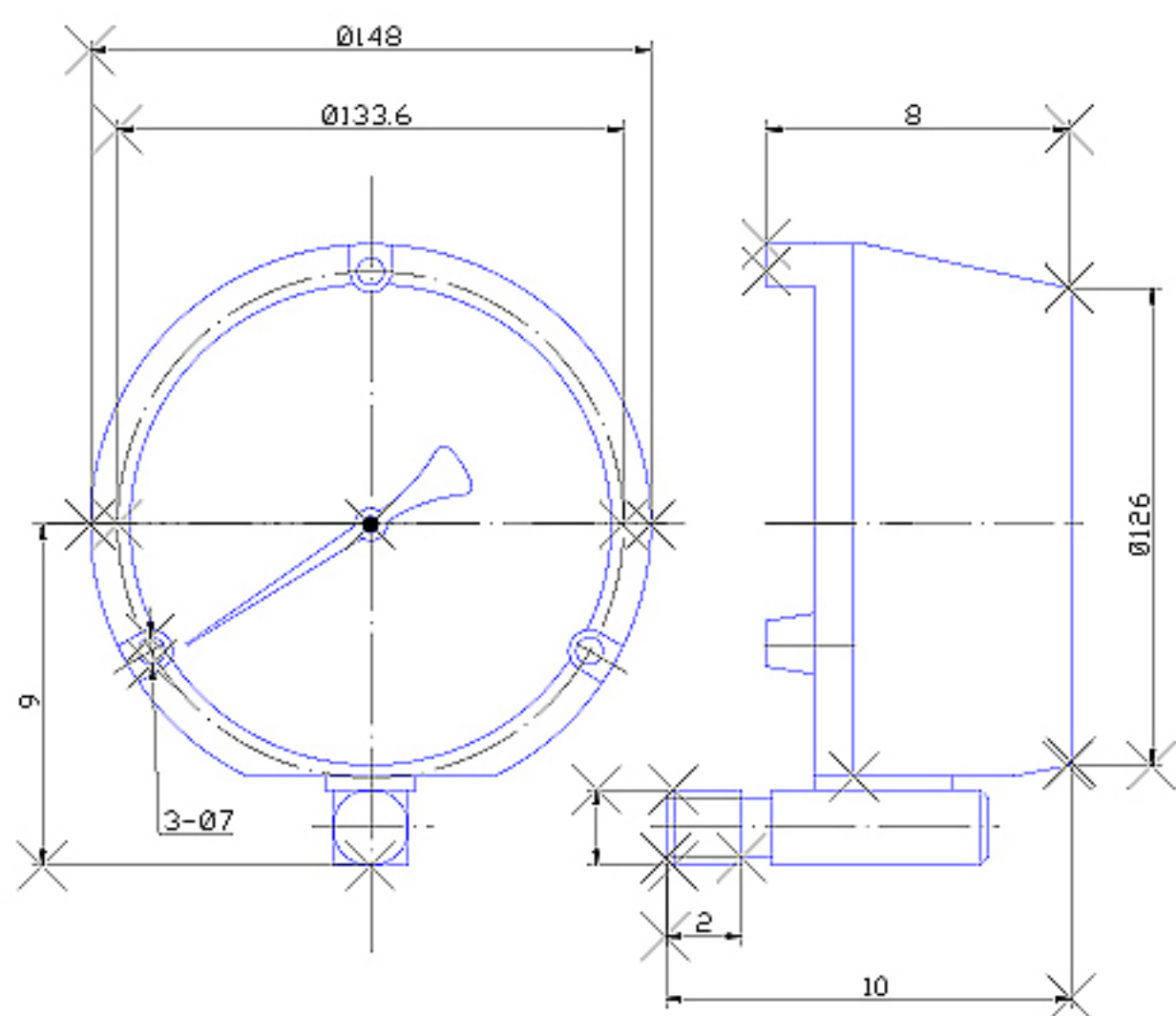


	1	2	3	4
d	M20X1.5	NPT 1/2	G1/2"	G3/8"

YTS - H4.5" (4.5"防溅表) 径向安装外形尺寸



	1	2	3	4
d	M20X1.5	NPT 1/2	G1/2"	G3/8"

YTS - H4.5" (4.5"防溅表) 轴向安装外形尺寸