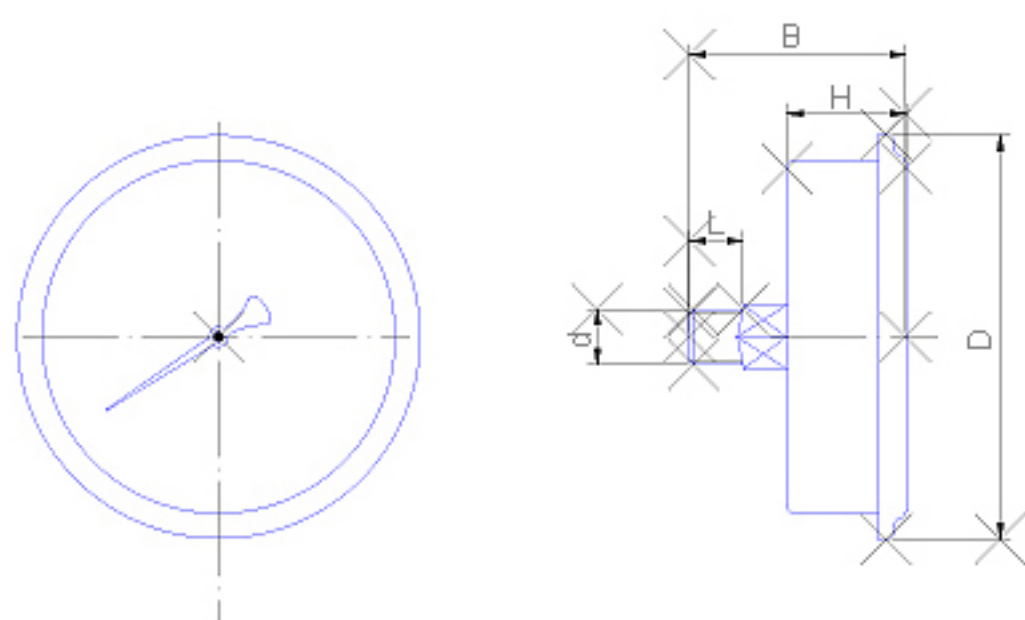


不锈钢充油表径向安装外形尺寸 (YTNF-H2.5"、3.5"、4")

普通充油表径向安装外形尺寸 (YTN2.5"、3.5"、4"、5"、5"后带边)

充油表外形尺寸

MODEL	D (∅)	L	B	H	d	D ₁ (∅)	d ₁ (∅)
YTN-2.5"	68.5	13	56	31	NPT 1/4	/	/
YTNF-H2.5"							
YTN-2.5"Z	68.5	13	56	30	NPT 1/4	/	/
YTNF-H2.5"Z							
YTN-2.85"Z	72.5	13	57	30	NPT 1/4	/	/
YTNF-H2.85"Z							
YTN-3.5"Z	97	13	55	28	NPT 1/4	/	/
YTNF-H3.5"Z							
YTN-4"	108	13	83	31	NPT 1/4	/	/
YTNF-H4"				46	NPT 1/2	/	/
YTN-4"Z	107	13	57	31	NPT 1/4	/	/
YTNF-H4"Z				46	NPT 1/2	/	/
YTN-5"	125	15	88	33	NPT 1/4	/	/
YTN-5"后带边	125	15	88	33	NPT 1/4	150	8



不锈钢充油表轴向安装外形尺寸 (YTNF-H2.5"Z、2.85"Z、3.5"Z、4"Z)

普通充油表轴向安装外形尺寸 (YTN2.5"Z、2.85"Z、3.5"Z、4"Z)

充油表外形尺寸

MODEL	D (∅)	L	B	H	d	D ₁ (∅)	d ₁ (∅)
YTN-2.5"	68.5	13	56	31	NPT 1/4	/	/
YTNF-H2.5"							
YTN-2.5"Z	68.5	13	56	30	NPT 1/4	/	/
YTNF-H2.5"Z							
YTN-2.85"Z	72.5	13	57	30	NPT 1/4	/	/
YTNF-H2.85"Z							
YTN-3.5"Z	97	13	55	28	NPT 1/4	/	/
YTNF-H3.5"Z							
YTN-4"	108	13	83	31	NPT 1/4	/	/
YTNF-H4"				46	NPT 1/2	/	/
YTN-4"Z	107	13	57	31	NPT 1/4	/	/
YTNF-H4"Z				46	NPT 1/2	/	/
YTN-5"	125	15	88	33	NPT 1/4	/	/
YTN-5"后带边	125	15	88	33	NPT 1/4	150	8